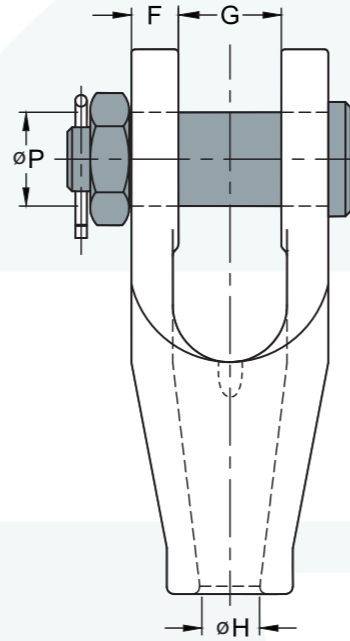
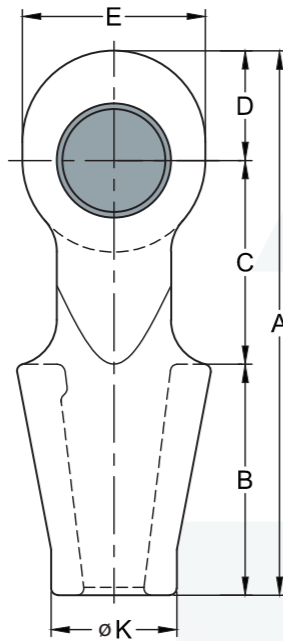
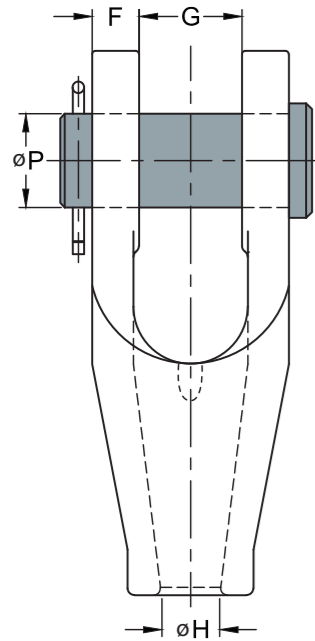




# Открытые заливные муфты

со штифтом

с болтом



Доступен для канатов диаметром от  $\varnothing$  6 мм до  $\varnothing$  128 мм.

(От 1/4 до 5 дюймов) с эффективностью 100%.

Стандартная версия со штифтом и шплинтом. Так же доступно с болтом, гайкой и шплинтом.

## AQUALLINE ОТКРЫТЫЕ ЗАЛИВНЫЕ СОКЕТЫ. ММ РАЗМЕРЫ

| Модель<br>Номер | MBL<br>(Mtons) | Стальной канат<br>$\varnothing$ mm | Структурные<br>Пряди $\varnothing$ mm | Объем<br>Заливки (cc) | Размеры (мм) |     |     |     |     |      |      |                 |                 |                 | Вес<br>(кг) |
|-----------------|----------------|------------------------------------|---------------------------------------|-----------------------|--------------|-----|-----|-----|-----|------|------|-----------------|-----------------|-----------------|-------------|
|                 |                |                                    |                                       |                       | A            | B   | C   | D   | E   | F    | G    | $\varnothing$ H | $\varnothing$ K | $\varnothing$ P |             |
| OSS 196         | 8              | 6 - 7                              | -                                     | 10                    | 105          | 46  | 40  | 19  | 34  | 9    | 18   | 10              | 20              | 17.5            | 0.4         |
| OSS 197         | 12             | 8 - 10                             | -                                     | 20                    | 122          | 54  | 45  | 23  | 40  | 11.2 | 20.6 | 13.5            | 26              | 20.6            | 0.8         |
| OSS 198         | 20             | 11 - 13                            | -                                     | 35                    | 142          | 64  | 51  | 27  | 48  | 12.7 | 25.6 | 15              | 30              | 25.4            | 1.1         |
| OSS 199         | 25             | 14 - 16                            | 12 - 13                               | 50                    | 171          | 76  | 63  | 32  | 56  | 14.5 | 32   | 18.5            | 38.5            | 30              | 1.9         |
| OSS 100         | 40             | 18 - 19                            | 14 - 16                               | 80                    | 205          | 89  | 76  | 40  | 68  | 16.5 | 38   | 22.5            | 46              | 35              | 3.2         |
| OSS 104         | 55             | 20 - 22                            | 18 - 19                               | 125                   | 238          | 101 | 89  | 48  | 80  | 20.5 | 45   | 26.8            | 55              | 41              | 5.3         |
| OSS 108         | 80             | 23 - 26                            | 20 - 22                               | 160                   | 273          | 114 | 101 | 58  | 98  | 22.5 | 51   | 29.5            | 62              | 51              | 8.4         |
| OSS 111         | 100            | 27 - 30                            | 24 - 26                               | 210                   | 306          | 127 | 114 | 65  | 110 | 25   | 57   | 34              | 70              | 57              | 11.3        |
| OSS 115         | 130            | 31 - 36                            | 27 - 28                               | 350                   | 338          | 139 | 127 | 72  | 124 | 28   | 63   | 40              | 83              | 63              | 16          |
| OSS 118         | 160            | 37 - 39                            | 30 - 32                               | 425                   | 394          | 152 | 162 | 80  | 140 | 30   | 76   | 44.5            | 90              | 70              | 23          |
| OSS 120         | 200            | 40 - 42                            | 33 - 35                               | 500                   | 415          | 165 | 165 | 85  | 148 | 33.5 | 76   | 48              | 97              | 76              | 29          |
| OSS 125         | 250            | 43 - 48                            | 36 - 40                               | 700                   | 467          | 191 | 178 | 98  | 170 | 39   | 89   | 53              | 112             | 89              | 43          |
| OSS 128         | 300            | 49 - 54                            | 42 - 45                               | 1250                  | 552          | 216 | 228 | 108 | 186 | 46   | 101  | 58.5            | 125             | 95              | 64          |
| OSS 130         | 375            | 55 - 60                            | 46 - 48                               | 1425                  | 603          | 229 | 254 | 120 | 210 | 53   | 113  | 68.5            | 135             | 108             | 85          |
| OSS 132         | 450            | 61 - 68                            | 50 - 54                               | 1850                  | 654          | 248 | 273 | 133 | 230 | 60   | 127  | 77.5            | 150             | 121             | 119         |
| OSS 135         | 500            | 69 - 75                            | 56 - 62                               | 2300                  | 696          | 279 | 279 | 138 | 240 | 73   | 133  | 83              | 160             | 127             | 158         |
| OSS 138         | 600            | 76 - 80                            | 64 - 67                               | 3400                  | 736          | 305 | 286 | 145 | 250 | 76   | 146  | 89              | 170             | 133             | 186         |
| OSS 140         | 650            | 81 - 86                            | 70 - 73                               | 4100                  | 790          | 330 | 300 | 160 | 275 | 79   | 159  | 95              | 180             | 140             | 227         |
| OSS 142         | 750            | 87 - 93                            | 76 - 80                               | 5200                  | 849          | 356 | 318 | 175 | 300 | 82   | 172  | 99              | 200             | 152             | 280         |
| OSS 144         | 900            | 94 - 102                           | 83 - 92                               | 7700                  | 922          | 381 | 343 | 198 | 336 | 89   | 191  | 110             | 215             | 178             | 375         |
| OSS 146         | 1200           | 108 - 115                          | 96 - 108                              | 10500                 | 1110         | 440 | 450 | 220 | 370 | 100  | 205  | 128             | 250             | 195             | 525         |
| OSS 150         | 1400           | 120 - 128                          | 112 - 121                             | 14000                 | 1185         | 490 | 440 | 255 | 430 | 113  | 225  | 143             | 270             | 220             | 680         |

## AQUALLINE ОТКРЫТЫЕ ЗАЛИВНЫЕ СОКЕТЫ. INCH РАЗМЕРЫ

| Model<br>Number | MBL<br>(Mtons) | For Wire Rope<br>$\varnothing$ inch | Structural<br>Strand $\varnothing$ inch | Approx. Resin<br>Volume (cc) | Dimensions (inch) |       |       |       |       |      |      |                 |                 |                 | Weight<br>(lbs) |
|-----------------|----------------|-------------------------------------|---|------------------------------|-------------------|-------|-------|-------|-------|------|------|-----------------|-----------------|-----------------|-----------------|
|                 |                |                                     |   |                              | A                 | B     | C     | D     | E     | F    | G    | $\varnothing$ H | $\varnothing$ K | $\varnothing$ P |                 |
| OSS 196         | 8              | 1/4                                 | -                                       | 10                           | 4.13              | 1.81  | 1.60  | 0.75  | 1.34  | 0.35 | 0.71 | 0.39            | 0.78            | 0.69            | 0.9             |
| OSS 197         | 12             | 5/16 - 3/8                          | -                                       | 20                           | 4.80              | 2.16  | 1.80  | 0.90  | 1.57  | 0.44 | 0.81 | 0.53            | 1.02            | 0.81            | 1.8             |
| OSS 198         | 20             | 7/16 - 1/2                          | -                                       | 35                           | 5.60              | 2.52  | 2.00  | 1.10  | 1.89  | 0.50 | 1.00 | 0.60            | 1.18            | 1.00            | 2.4             |
| OSS 199         | 25             | 9/16 - 5/8                          | 1/2                                     | 50                           | 6.70              | 3.00  | 2.50  | 1.30  | 2.20  | 0.57 | 1.26 | 0.73            | 1.52            | 1.19            | 4.2             |
| OSS 100         | 40             | 3/4                                 | 9/16 - 5/8                              | 80                           | 8.10              | 3.50  | 3.00  | 1.60  | 2.76  | 0.65 | 1.50 | 0.89            | 1.81            | 1.38            | 7               |
| OSS 104         | 55             | 7/8                                 | 11/16 - 3/4                             | 125                          | 9.40              | 4.00  | 3.50  | 1.90  | 3.15  | 0.81 | 1.75 | 1.05            | 2.17            | 1.63            | 11.7            |
| OSS 108         | 80             | 1                                   | 13/16 - 7/8                             | 160                          | 10.70             | 4.50  | 4.00  | 2.30  | 4.00  | 0.89 | 2.00 | 1.16            | 2.44            | 2.00            | 18              |
| OSS 111         | 100            | 1 1/8                               | 15/16 - 1                               | 210                          | 12.00             | 5.00  | 4.50  | 2.60  | 4.33  | 1.00 | 2.25 | 1.39            | 2.76            | 2.25            | 25              |
| OSS 115         | 130            | 1 1/4 - 1 3/8                       | 1 1/16 - 1 1/8                          | 350                          | 13.30             | 5.50  | 5.00  | 2.80  | 4.80  | 1.10 | 2.50 | 1.57            | 3.27            | 2.50            | 35              |
| OSS 118         | 160            | 1 1/2                               | 1 3/16 - 1 1/4                          | 425                          | 15.50             | 6.00  | 6.40  | 3.15  | 5.52  | 1.18 | 3.00 | 1.75            | 3.50            | 2.75            | 51              |
| OSS 120         | 200            | 1 5/8                               | 1 5/16 - 1 3/8                          | 500                          | 16.30             | 6.50  | 6.50  | 3.35  | 5.90  | 1.30 | 3.00 | 1.90            | 3.80            | 3.00            | 64              |
| OSS 125         | 250            | 1 3/4 - 1 7/8                       | 1 7/16 - 1 5/8                          | 700                          | 18.40             | 7.50  | 7.00  | 3.86  | 6.70  | 1.53 | 3.50 | 2.10            | 4.40            | 3.50            | 95              |
| OSS 128         | 300            | 2 - 2 1/8                           | 1 11/16 - 1 3/4                         | 1250                         | 21.70             | 8.50  | 9.00  | 4.25  | 7.30  | 1.81 | 4.00 | 2.30            | 4.90            | 3.75            | 141             |
| OSS 130         | 375            | 2 1/4 - 2 3/8                       | 1 13/16 - 1 7/8                         | 1425                         | 23.70             | 9.00  | 10.00 | 4.72  | 8.27  | 2.10 | 4.50 | 2.70            | 5.30            | 4.25            | 190             |
| OSS 132         | 450            | 2 1/2 - 2 5/8                       | 1 15/16 - 2 1/8                         | 1850                         | 25.70             | 9.70  | 10.70 | 5.23  | 9.10  | 2.36 | 5.00 | 3.05            | 5.90            | 4.75            | 260             |
| OSS 135         | 500            | 2 3/4 - 2 7/8                       | 2 3/16 - 2 7/16                         | 2300                         | 27.40             | 11.00 | 11.00 | 5.43  | 9.45  | 2.90 | 5.25 | 3.25            | 6.30            | 5.00            | 348             |
| OSS 138         | 600            | 3 - 3 1/8                           | 2 1/2 - 2 5/8                           | 3400                         | 29.00             | 12.00 | 11.30 | 5.70  | 9.84  | 3.00 | 5.75 | 3.50            | 6.70            | 5.25            | 410             |
| OSS 140         | 650            | 3 1/4 - 3 3/8                       | 2 3/4 - 2 7/8                           | 4100                         | 31.10             | 13.00 | 11.80 | 6.30  | 10.83 | 3.12 | 6.25 | 3.75            | 7.10            | 5.50            | 500             |
| OSS 142         | 750            | 3 1/2 - 3 5/8                       | 3 - 3 1/8                               | 5200                         | 33.40             | 14.00 | 12.50 | 6.90  | 11.80 | 3.25 | 6.75 | 3.90            | 7.90            | 6.00            | 615             |
| OSS 144         | 900            | 3 3/4 - 4                           | 3 1/4 - 3 3/8                           | 7700                         | 36.30             | 15.00 | 13.50 | 7.80  | 13.20 | 3.50 | 7.50 | 4.33            | 8.50            | 7.00            | 825             |
| OSS 146         | 1200           | 4 1/4 - 4 1/2                       | 3 3/4 - 4 1/4                           | 10500                        | 43.70             | 17.30 | 17.70 | 8.70  | 14.60 | 4.00 | 8.10 | 5.00            | 9.80            | 7.70            | 1150            |
| OSS 150         | 1400           | 4 3/4 - 5                           | 4 7/16 - 4 3/4                          | 14000                        | 46.70             | 19.30 | 17.30 | 10.00 | 17.00 | 4.40 | 8.90 | 5.60            | 10.60           | 8.70            | 1500            |

MBL = Minimum Breaking Load (Минимальная разрушающая нагрузка)

Все муфты (сокет) поставляются с горячим цинкованием. OSS 111 - OSS 150 также доступны в цвете голубой грунт (RAL 5018). Для получения дополнительной информации прочтите наши «Предупреждения и инструкции по применению».